

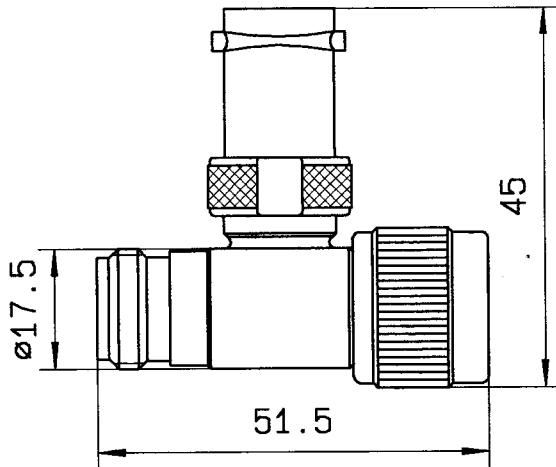


LOOP PROBE SIGNAL SAMPLER

issue
14.Oct.97

Page
1 / 1

DRAWING



General tolerances: +/- 0.5 mm

R F CHARACTERISTICS

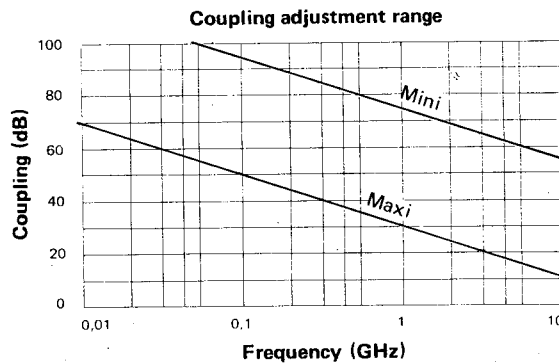
FREQUENCY RANGE	: DC - 12 GHz
IMPEDANCE	: 50 Ohms
INSERTION LOSS *	: <= 0.2 dB
V.S.W.R. MAIN LINE DC - 8 GHz *	: <= 1.20
8 -12 GHz	: <= 1.50
COUPLING VARIATION	: 6 dB / OCTAVE
PEAK POWER at 25°C (1µs,1%.)	: 5 kW
AVERAGE POWER at 25°C	: 500 W

MECHANICAL CHARACTERISTICS

CONNECTORS MAIN LINE	: N	male/female	per MIL-C 39012
CONNECTOR COUPLED LINE	: BNC	female	per MIL-C 39012
WEIGHT	: <	100 g	

ENVIRONMENTAL CHARACTERISTICS

OPERATING TEMPERATURE RANGE (°C)	: -55 , +125
STORAGE TEMPERATURE RANGE (°C)	: -55 , +125



* : V.S.W.R. AND INSERTION LOSS ARE SPECIFIED FOR LOOSE COUPLING (20 dB MIN)

CREATION

N° :
PEN/EP:CAT
Name: MG
Date: 14.Oct. 97
APP.: AF

ISSUE

REVISIONS

NAME

APPR.

RADIALL®

101. rue P. Hoffmann -Z.I Ouest-
93116 ROSNY/BOIS Cedex-FRANCE
Phone :33(1)49353535
Fax :33(1)48546363
Tvx RADIA 235220F

This information is given as an indication. In the continual goal to improve our products, we reserve the right to make any modifications judged necessary

4112-9212